

Boiler-Matic 3000/4000 Boiler Controllers



The Beta Boiler-Matic 3000 and 4000 Controllers optimize boiler efficiency by sampling surface blowdown water either intermittently, at operator-selected intervals (with the Boiler-Matic 3000) or continuously (with the Boiler-Matic 4000), measuring the conductivity of the boiler water. The Boiler-Matic 3000 maintains desired conductivity levels by closing the blowdown valve when conductivity is below setpoint, and keeping the blowdown valve open if conductivity gets too high, the BM3000 repeats the sampling schedule until desired conductivity is reached. The Boiler-Matic 4000 samples continuously, closing the blowdown valve when conductivity is below desired setpoint, and opening it when conductivity is too high. The blowdown valve is kept open until desired setpoint is reached.

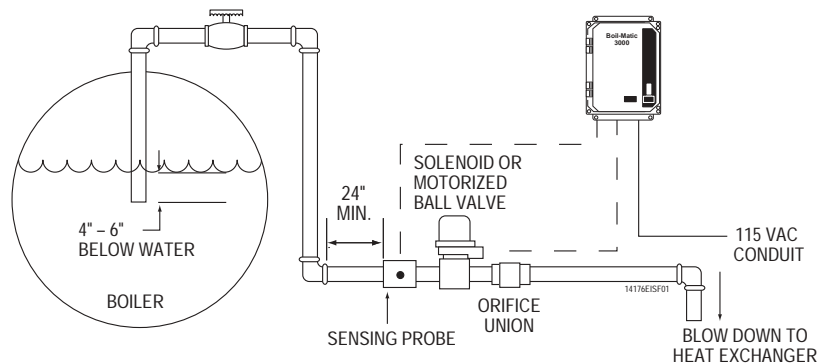
KEY BENEFITS

- Controls concentration of Total Dissolved Solids (TDS)
- Maximizes boiler efficiency by maintaining optimal concentration levels
- Reliable, solid-state electronics
- Nema 4X enclosure and lockable viewing door

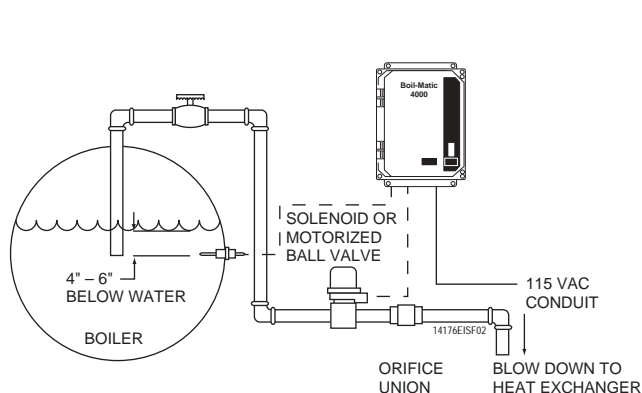
Dwg # 14176-00, Rev B



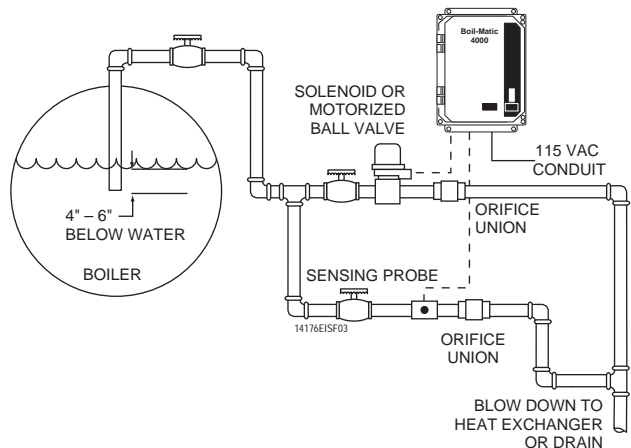
BOILER-MATIC 3000/4000 INSTALLATIONS



Boiler-Matic 3000. Typical Installation



Boiler-Matic 4000. Probe In-Boiler Application



Boiler-Matic 4000. Probe In-Line Application

SPECIFICATIONS

SIZE

Height	Width	Depth
10.0	8.0	4.0 inches
25.0	20.0	10.0 centimeters

WEIGHT

5.83 lbs (2.64 kgs), Boiler-Matic 3000 or 4000 alone
 7.43 lbs (3.48 kgs) with Flow Through Plumbing Assembly

ENCLOSURE

Nema 4X weatherproof. See-through door with padlockable hasp. (4) 7/8" diameter holes provided for 1/2" conduit connections: blowdown valve, AC power, probe and optional electrical device.

ENVIRONMENT

TEMPERATURE

40° to 140°F (4° to 60°C)

HUMIDITY

0 to 100% R.H. Non-condensing

INPUT POWER

115 VAC, 50/60 Hz, 10 Amps

OUTPUT/CONTROL

115 VAC, 50/60 Hz, 10 Amps maximum combined load/Pre-wired for 2 or 3 wire blowdown valve

DRIFT

Less than 0.25% per month

ACCURACY

+/- 400 Microsiemens

DISPLAY

LED Indicators: Power, Bleed and Conductivity Calibration

RANGE

0-7000 Microsiemens/cm

ORDERING INFORMATION

Item #	Description
059789	BM3000 (120 VAC)
090111	BM3000 (240 VAC)
059788	BM4000 (120 VAC)
034756	Solenoid Valve Assembly (probe, valve, strainer, orifice union)
034757	Motorized Valve Assembly
028448	Electric Solenoid Valve Assembly, rated at 250psi
051642	Probe, Rod, and Bushing Assembly, rated at 600psi
059849	Conductivity Probe and Tee Assembly
051644	12" Extended Probe Assembly (BM4000, Mounts directly into boiler)
031211	Motorized Valve, 3/4" (valve only)
027042	Asco Solenoid Valve, 3/4" (valve only)
028456	Magnatrol Valve, 3/4" (valve only)
015300	Orifice Union Kit (includes 4 orifice plates and union)



Beta Technology
 2841 Mission Street
 Santa Cruz • CA
 U.S.A. • 95060

TEL • 831 • 426 • 0882
 TEL • 800 • 858 • 2382
 FAX • 831 • 423 • 4573
 FAX • 800 • 221 • 8416

TEL (U.S. and Canada) • 800 • 468 • 4993
 TEL (outside U.S. and Canada) • 410 • 228 • 1292
 sales@beta-technology.com

Beta Technology

4 Finway, Dallow Road
 Luton LU1 1TR
 United Kingdom

Freephone • 0800 • 052 • 4726
 Tel • +44(0) • 1582 • 528600
 Fax • +44(0) • 1582 • 528111
 Freephone • 0800 • 052 • 4726 Tech Service
 VAT REG.NO.BG.354 - 09975 - 44
 europe.sales@beta-technology.com

http://www.beta-technology.com